

NEW **INSERT STYLE KNIFE HOLDER**

REPLACEABLE WEAR INSERT

HOLDER

KNIFE

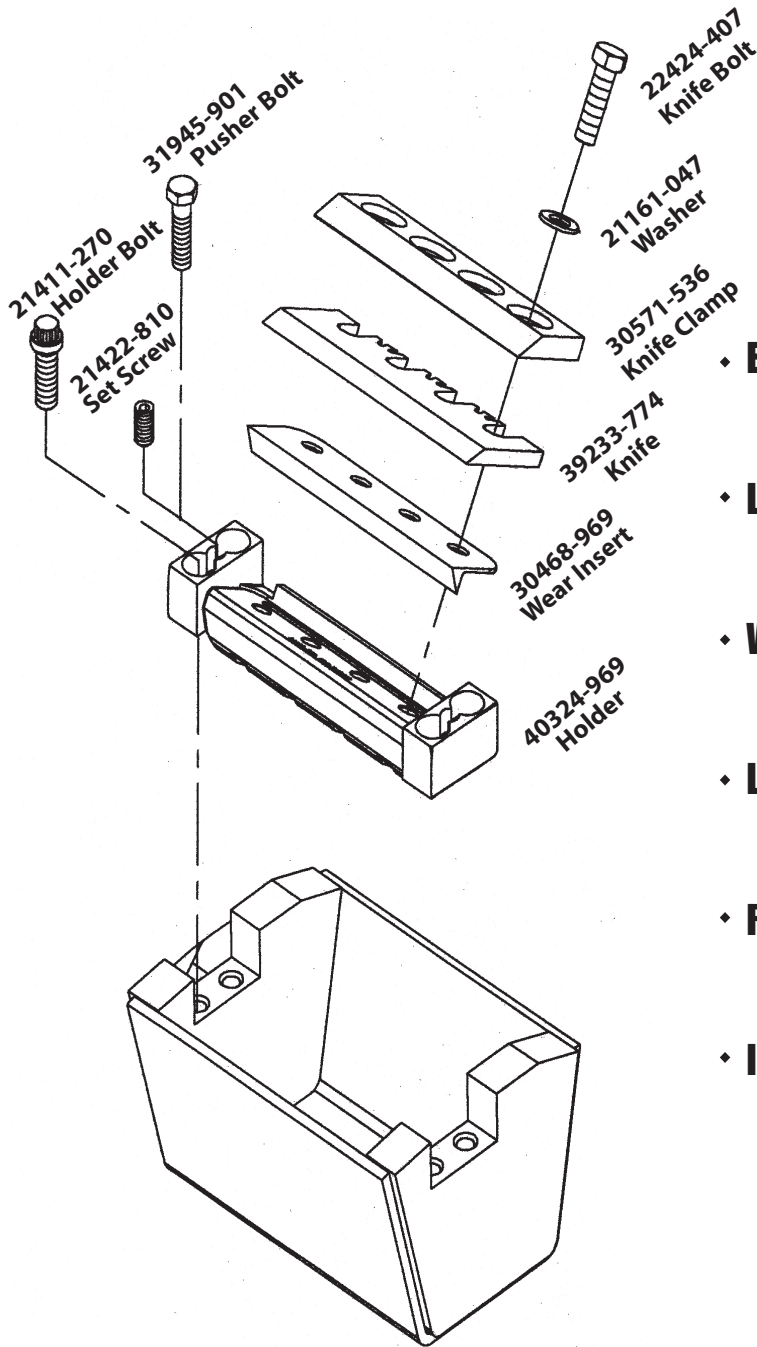
**HOLDER
ASSEMBLY**



MORBARK



WEAR INSERT HOLDER ADVANTAGES



- ♦ Easy to install
- ♦ Less downtime
- ♦ Wear Insert stays in place while changing knives
- ♦ Less likely to pack wood under knife
- ♦ Reduces operation cost
- ♦ Increases life span on knife holder

Available for Drum Chippers 20/36, 25/36, 30/36, 40/36, 50/36, 50/48, M18R & M20R; Also Woodhog models 2600, 3600, 3800, 4600, 4600XL & 6600 with the Quick Switch Drum